



## Owners Manual for TP4X, TP8X, TP12QX, and TP18SX



**PRIOR TO USING THIS MACHINE, MAKE SURE THAT YOU HAVE READ, AND UNDERSTAND THE SAFETY AND OPERATING INSTRUCTIONS FOR THIS MACHINE.**



NaceCare Solutions  
1205 Britannia Road East  
Mississauga, Ontario, Canada  
L4W 1C7  
Toll Free: 1 800 387 3210  
Toll Free Fax: 1 800 709 2896



## **Safety instructions (read carefully)**

Every electrical device must be used for its particular function only, respecting the manufacturer's instructions. Failure to adhere to these instructions could result in serious bodily injury to the operator (shock, electrocution, etc.).

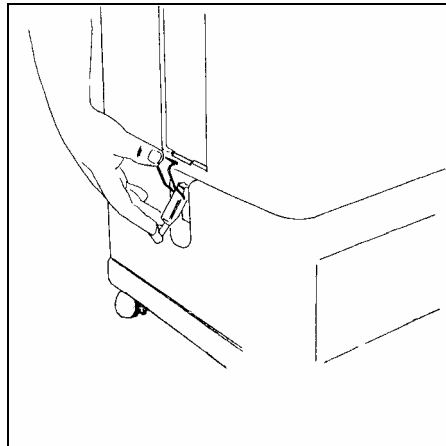
Please read the following safety instructions carefully and ensure that you understand them prior to using the machine.

- Before putting the machine's plug in the wall socket, check that the voltage available is the same indicated on the label of the machine.
- Be sure that the electrical system is well grounded and that it has a GFI.
- Verify that the cable plug is the same as the outlet.
- Do not use adapters or multiple sockets
- If any electrical extension is used, ensure it is the correct gauge of wire and make sure it is watertight.
- Take care of the electrical cable. Do not repair the cable in case of tears, but replace it with a new one.
- Do not pull the cable to drag the machine or to pull the plug out. Pull the plug out only when the machine is switched off.
- Do not handle the plug with wet hands.
- Do not spray water near electrical outlets. Do not use the machine to spray or to suck dust, corrosive liquids (acids or bases) and explosive or inflammable liquids.
- Do not use the machine in an explosive atmosphere.
- Do not let the machine be used by children and people unable to understand the danger connected with the use of electrical power.
- Do not bring the end of the suction hose or one of the accessories near your face or others', particularly near ears and eyes: the sucked air could seriously damage them.
- If the machine is used as a wet vacuum cleaner, you must check the level of water in the recovery tank, in order to prevent water from being sucked through the vacuum motor.
- If the chemical you are using produces foam, or if you are cleaning carpet previously treated with shampoo, you **must** add **defoamer** into the recovery tank to prevent damage to the vacuum motor.
- In case of abnormal working (very noisy motor, pump not running, extreme temperature rise, or other suspicious signals) switch off the machine and pull the plug out.
- After using, store the machine, well cleaned, in a cool and dry place.

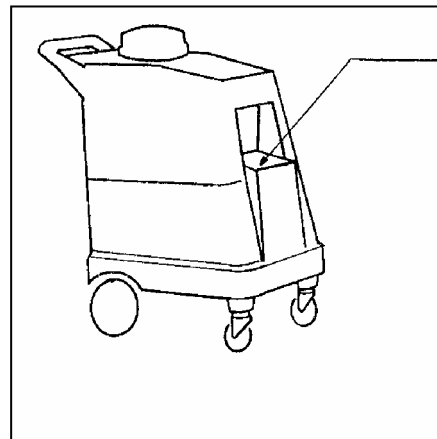
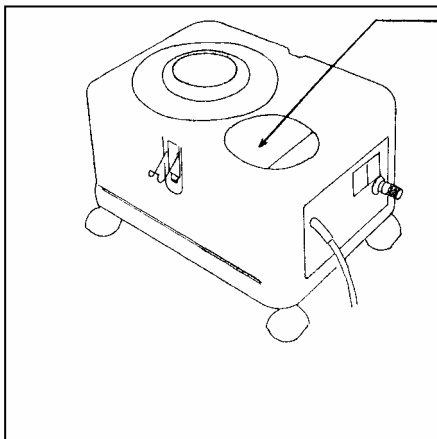
**Attention:** all electrical repairs must be performed by qualified personal only!

## **SETUP**

1. Remove the 2 spring clips holding the upper tank to the lower tank (TP4X, and TP8X only)



2. Fill the solution tank with cold or warm water through the filling hole. Add non-foaming chemical to the solution tank, diluting it according to the manufacturers specifications.

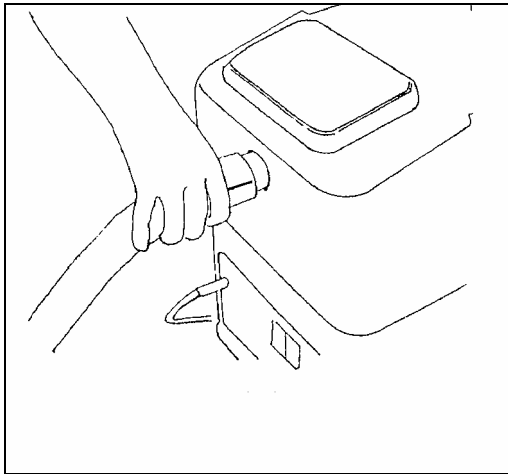


**Attention:** wool carpet must be washed with cold water only!

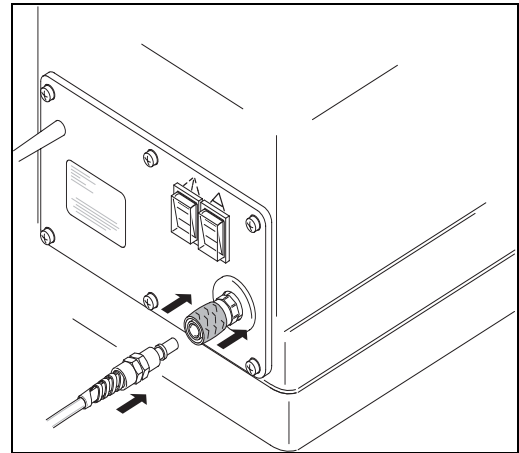
1. Reconnect the upper tank to the lower tank and fasten the springs (TP4X, and TP8X only)

2. Connect the vacuum hose to the machine as shown in Fig 1 (TP12QX and TP18SX have the connections in the rear of the machine).
3. Connect the solution hose to the machine as shown in Fig 2
4. Connect the wand/hand tool to the end of the hose as shown in Fig 3

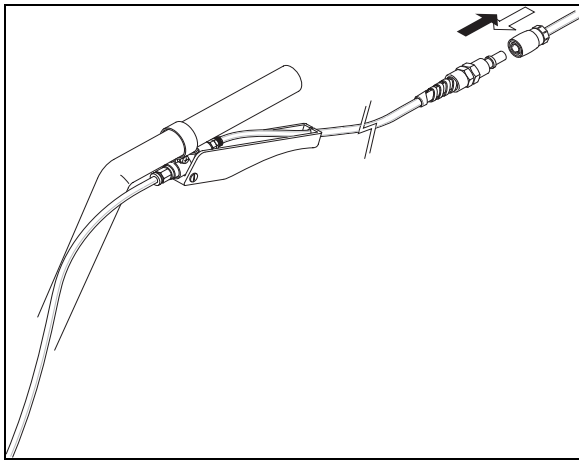
**Fig 1**



**Fig 2**



**Fig 3**

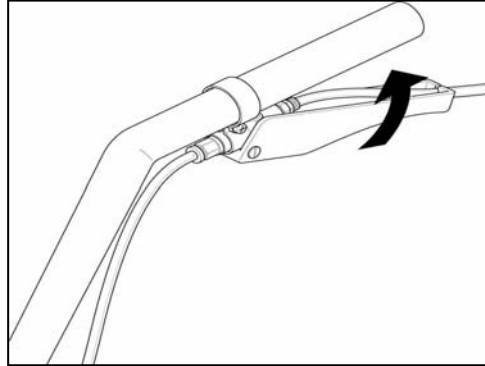


5. Plug the machine into the wall socket (see safety regulations).
  6. Switch the water pump and vacuum motor on.
- Now the machine is ready to operate.

**Attention:** **Do not** use the machine as a dry vacuum cleaner!  
**Do not** let the pump run dry!

## **USING THE MACHINE**

For regular carpet maintenance you should only pre-spray heavily soiled areas. With the vacuum and pump in the “on” position and the wand or hand tool attached, pull the solution valve to spray the water and slowly pull the wand/hand tool back to vacuum the dirty water into the recovery tank.



**Note:** If the carpet is heavily soiled, it is recommended that you pre-spray the area prior to extraction.

## **MAINTENANCE**

1. After every use, before storing the machine, remove all the water from the solution and the recovery tank. Put some clean water into the solution tank and use the pump only. This will clean out the pumping system of the unit.
2. After every use, store the machine in a cool and dry place with the recovery dome off. This will ensure that no water evaporates through the vacuum motor causing any damage.
3. Periodically clean (at least every 2 months) the water filter, removing it from the machine and rinsing it under warm water
4. Periodically check and clean the filter for the vacuum motor. It is located between the 2 tanks for the models TP4X and TP8X and below the recovery dome for the TP12QX and TP18SX.
5. After 500 working hours, the machine should be brought in to be serviced. The carbon brushes on the vacuum motor and pump motor should be replaced at this time.
6. Worn-out carbon brushes may result in damage to the vacuum motor or to the pump, which are not covered by warranty. Replacing the carbon brushes should be done by authorized personnel.