

EVOLUTION X3



IPC Integrated Professional Cleaning

IPCPortotecnica

Marketing Dpt.
November 2006



EVOLUTION X3



IPC Integrated Professional Cleaning

IPC Portotecnica



Technical Features: HP Pump



Highly reliable plunger pump with brass head and 3 ceramic pistons for longer and efficient heavy duty applications.

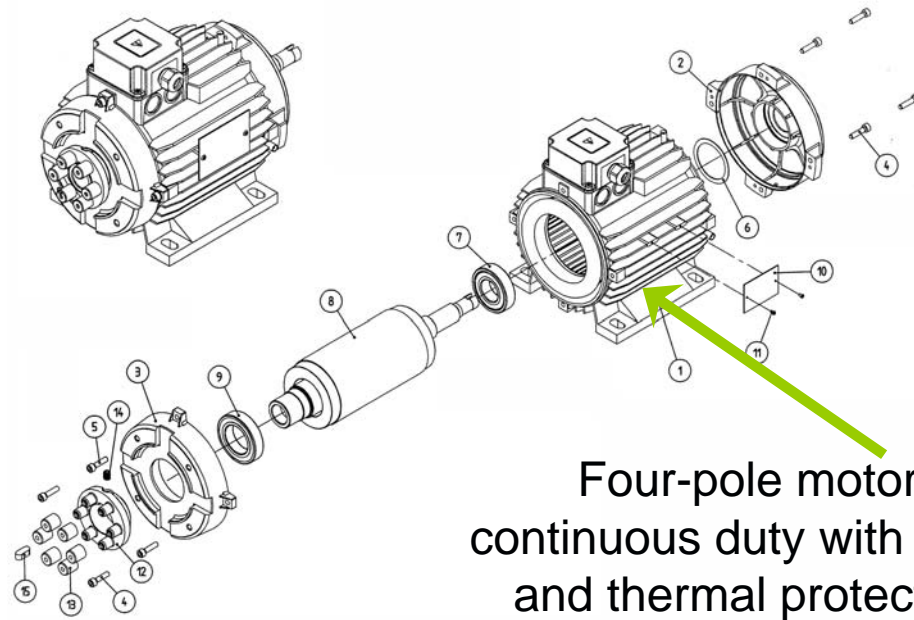


IPC Integrated Professional Cleaning

IPCPortotecnica



Technical Features: Electric Motor



Four-pole motor (1400 rpm) for continuous duty with **DOUBLE BEARING** and thermal protection on all models. Powers from 3 hp to 6 hp.



Pump-motor connection through flexible coupling for less vibrations, higher reliability, longer life of all mechanical components. Pump and motor easy to disconnect for fast maintenance.





Technical Features



Ergonomic single knob for on/off switching and detergent regulation.



Detergent tank with 18 l capacity, easy to be topped up.



Pressure regulation device on the machine.



IPC Integrated Professional Cleaning

IPCPortotecnica

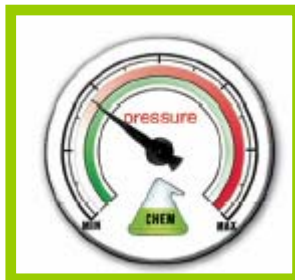


Technical Features



Delayed Total-Stop (TSR) control: interrupts operation of the appliance 30" after the water gun is turned off then starts it up again when the gun is turned on, extending the working life of components and saving energy.

Flow rates between 600 and 900 l/h.



Low pressure detergent delivery.





Technical Features: Structure

The chassis is made of highly resistant high density polyethylene (the same used for car bumpers): shockproof, resistant to atmospheric agents and chemical corrosion.



IPC Integrated Professional Cleaning

IPCPortotecnica



Technical Features: Structure

Suitable cable reel incorporated in the machine.



Wheels with a big diameter (305 mm) for a suitable and comfortable transfer.



IPC Integrated Professional Cleaning

IPCPortotecnica



Technical Features: Structure



Ergonomic design of handle for an easy and comfortable transport.



Lance, gun and accessory holder to make work easier.



IPC Integrated Professional Cleaning

IPCPortotecnica



Standard Accessories



Evolution X3



Evolution X3 - Plus

Water gun with heat-proof extension with SWIVEL joint to prevent the hose from twisting, hose for high pressures and temperatures with rapid screw couplings, 70 cm long double lance with pressure and detergent control device, high pressure steel nozzle and brass nozzle for chemicals.

The plus versions are equipped with hose reel.



IPC Integrated Professional Cleaning

IPCPortotecnica



Technical Features

Code	IDAF89942	IDAF89943
Model	Ev. X3 DS 1910M	Ev. X3 DS 1910M Plus
Remote control	total stop ds	total stop ds
Pressure – bar	130	130
Volume – l/h	600	600
Inlet water max. temperature -°C	50	50
Power supply - Ph-V-Hz	1 ~ 230V ~ 50Hz	
Absorbed power – W	3000	3000
Motor power – HP	3	3
RPM	1400	1400
Dimensions - LxWxH	87x71x40	
Weight – kg	56	59





Technical Features

Code	IDAF89944	IDAF89945
Model	Ev. X3 DS 2660T	Ev. X3 DS 2660T Plus
Remote control	total stop ds	total stop ds
Pressure – bar	190	190
Volume – l/h	900	900
Inlet water max. temperature -°C	50	50
Power supply - Ph-V-Hz	3 ~ 400V ~ 50Hz	
Absorbed power – W	5800	5800
Motor power – HP	6	6
RPM	1400	1400
Dimensions - LxWxH	87x71x40	
Weight – kg	59	62





Optional Accessory



△ Standard equipment ● Optional accessory

	Code	Model	Evolution X3 DS 1910M	Evolution X3 DS 1910M PLUS	Evolution X3 DS 2660T	Evolution X3 DS 2660T PLUS
Sandblaster						
	LCPR14858	Sand kit M22 1,4	●	●	●	●
	LCPR14859	Sand kit M22 1,5	●	●	●	●
	LCPR14860	Sand kit M22 1,8	●	●	●	●
Rotating nozzles						
	LCPR40001	Extension P470 - R Max 130 AR	●	△	●	△
	LCPR89910	Extension P470 - R Max 150 AZ	●	●	●	●
	LCPR41973	Kit turbo industrial	●	●	●	●
Mudguard lances						
	LCPR29360	P90 UND	●	●	●	●
Fixed hydro - brush lance						
	SPID24939	Idrobrush M22 kit	●	●	●	●
Rotating hydro - brush lance						
	SPID24911	Rotobrush M22 kit	●	●	●	●
Lances for washing floors						
	LCLC49492	Surface cl. 035	●	●	●	●
	LCLC49493	Surface cl. 045	●	●	●	●
	LCLC41140	FLO inox	●	●	●	●
	LCPR04507	FLO	●	●	●	●
Reaction nozzles						
	TBAP23853	Drain kit 10 M	●	●	●	●
	TBAP24406	Drain kit 20 M	●	●	●	●
Plunged ejector device						
	KTRI29366	Kit sub pump	●	●	●	●



IPC Integrated Professional Cleaning

IPC Portotecnica