



IPC Integrated Professional Cleaning

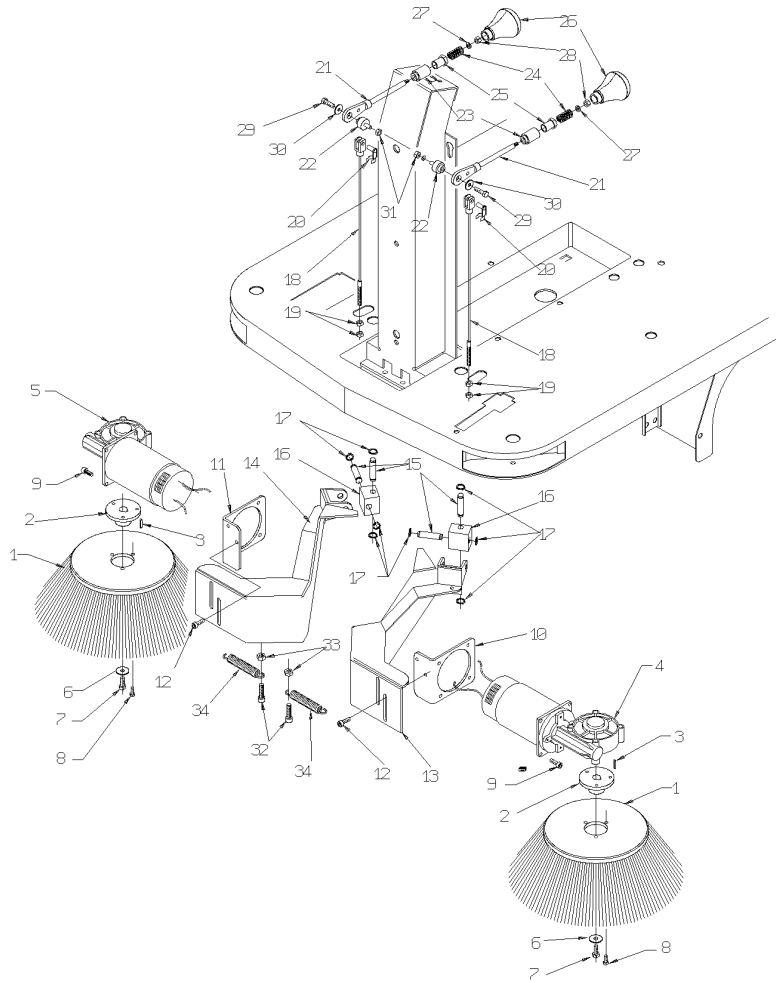
IPCGansow

Spare Parts List

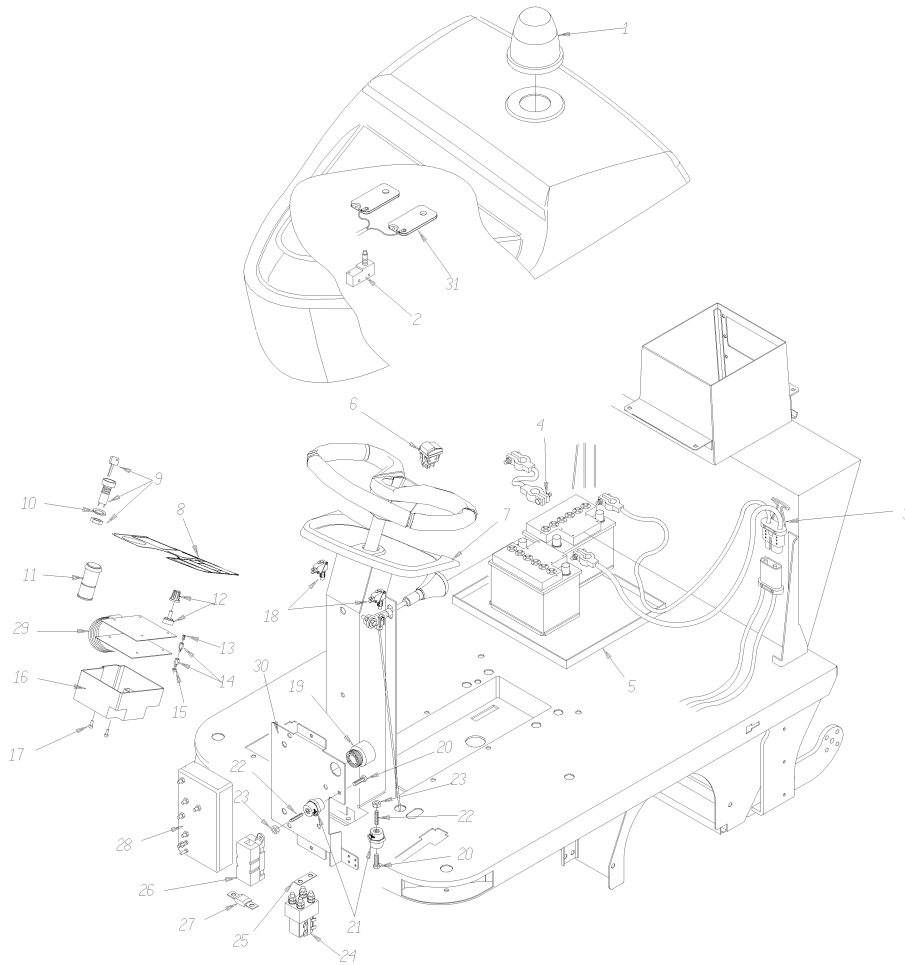
IPC . EAGLE

Ref: MSUB00254

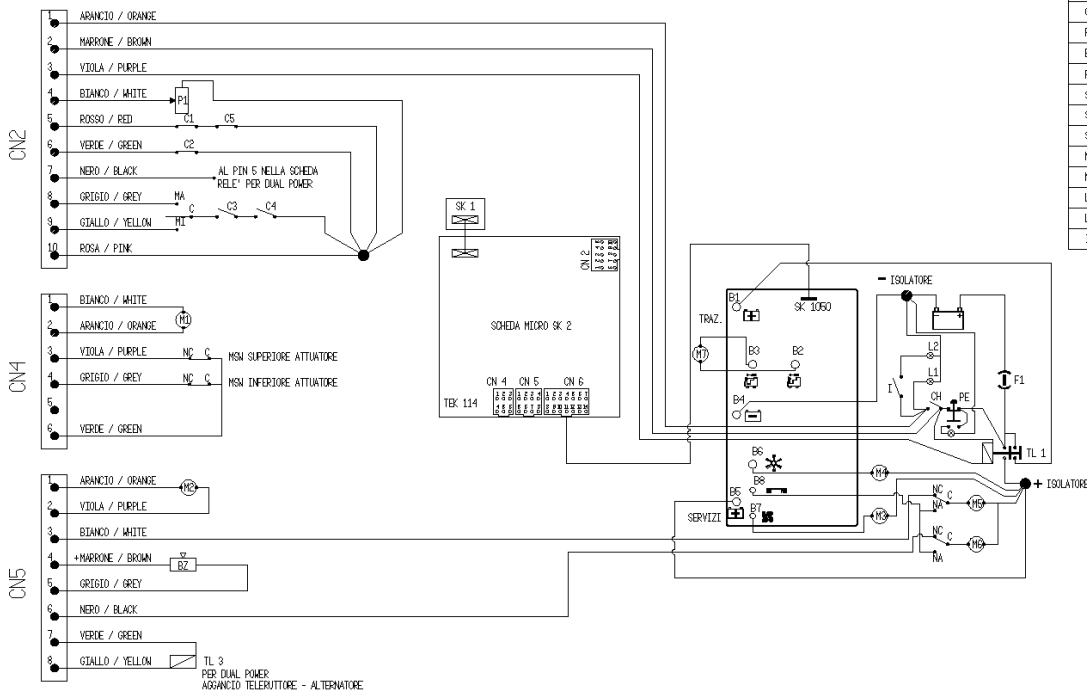
Model: Spazz. G1050E gr/gr 2SP KARPET K VOL.USA



Ref. K	Part N.	Customer Part N.	Description	Qty	Validity: From To	Price
0001	SPPV75790		SIDE-BRUSH D.400 PPL BK. D.0.7	2,00		--
0002	LAFN45010		FLANGE L.1400 LT.	2,00		--
0003	VTVR13165		KEY 5X5X20	2,00		--
0004	MOCC00031		MOTOR.GEARBOX AOMPI40 24V 60W SX G1050	1,00		--
0005	MOCC00032		MOTOR.GEARBOX AOMPI40 24V 60W DX G1050	1,00		--
0006	VTRS63242		WASHER D. 6 X24 ZC	2,00		--
0007	VTVT75719		SCREW TE F/ROND. M 6 X 10	2,00		--
0008	VTVT62920		SCREW TE F/ROND. M 6X 16 ZB	6,00		--
0009	VTVT09913		SCREW TCEI 6X16 UNI5931	8,00		--
0010	LAFN00809		PLATE PORTASPAZZ.LAT.SX TK1050	1,00		--
0011	LAFN00808		PLATE PORTASPAZZ.LAT.DX TK1050	1,00		--
0012	VTVT75719		SCREW TE F/ROND. M 6 X 10	4,00		--
0013	LAFN00800		SUPPORT LATERALE SX 1050 ZINCATO	1,00		--
0014	LAFN00798		SUPPORT LATERALE DX 1050 ZINCATO	1,00		--
0015	LAFN01148		PIN SPAZZOLE LATERALI	4,00		--
0016	LAFN00154		BLOCK BRACCI SPAZ.LAT.TK1050	2,00		--
0017	VTAE87276		SEEGER EXT. D10 DIN471	8,00		--
0018	CMCV00053		CABLE ALZASPAZZOLE LATERALI	2,00		--
0019	VTDD00004		NUT UNI 5588 M6 ZB	4,00		--
0020	CMCV00009		CLIP UNI 1676	2,00		--
0021	LAFN00803		ARM ALZASPAZZOLA LATER.1050	2,00		--
0022	LAFN00153		BUSHING LEVA ALZA SPAZ.LAT.ZINC.	2,00		--
0023	MPVR00081		BUSHING MANOVRA TK1050	2,00		--
0024	MLML00027		SPRING POMOLO SPAZZ.CENTRALE	2,00		--
0025	LAFN00523		DOOR MOLLA ALZA SPAZZOLA	2,00		--
0026	MPVR00886		SMALL KNOB SPAZZOLA LATERALE G1050	2,00		--
0027	VTRS00010		WASHER UNI 6592 5X10 ZB	2,00		--
0028	VTDD00017		NUT AUTOBLOK DIN 985 M5	2,00		--
0029	VTVT12255		SCREW TCEI 6X25 UNI5931	2,00		--
0030	VTRS86634		WASHER 6X18X1,5 UNI6593	2,00		--
0031	VTDD19688		NUT M6 UNI 7473	2,00		--
0032	VTVT00016		SCREW TE UNI 5739 8X30 ZB	2,00		--
0033	VTDD87083		NUT AUTO BLOCK M8 DIN 985 ZB	2,00		--
0034	MLML45102		SPRING TR	2,00		--

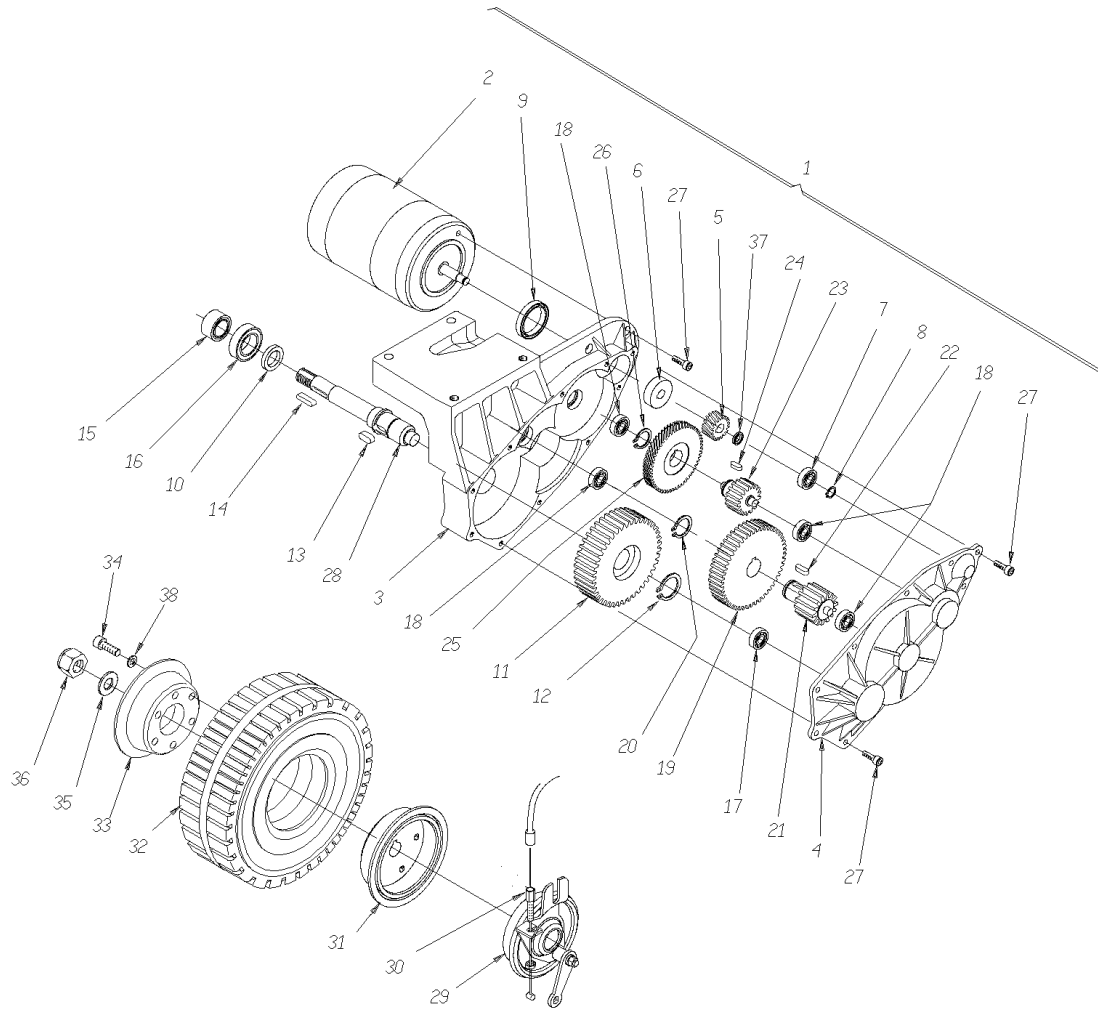


Ref.	K	Part N.	Customer Part N.	Description	Qty	Validity:		Price
						From	To	
0001		MEVR00935		FLASHING LIGHT G1050	1,00			--
0002		MECI75801		MICROSWITCH TK	1,00	02/2004		--
0003		MECB44779		WIRING INTERNO BATTERIE	1,00			--
0004		MECB44778		CABLE BATT. 1X16 L.1400	3,00			--
0005		LAFN46836		BATTERY SUPPORTL.14000 TK	1,00			--
0006		MECI00038		SWITCH BIPOLARE	1,00			--
0007		MPVR00300		INSTR.PANEL TERMOFORMATO TK1050	1,00			--
0008		MEVR00144		DASHBOARD A MEMBRANA X CRUSC.G1050	1,00			--
0009		MECI75805		SWITCH TK	1,00			--
0010		VTRS00023		WASHER DENTATA INT.UNI 6798 D.18	1,00			--
0011		MECI00028		BUTTON DI EMERGENZA TK1400 24V	1,00			--
0012		MECE00016		PCB MICRO + DISPLAY	1,00			--
0013		VTVT00035		SCREW TSTC 3X8 ZB	4,00			--
0014		LAFN47038		CONNECTOR M-F M3	4,00			--
0015		VTDD00001		NUT UNI 5588 M3 ZB	4,00			--
0016		MPVR00878		FAN COVER MICRO	1,00		04/2006	--
0016		MPVR04902		COVER SCHEDA MICRO	1,00	04/2006		--
0017		VTVT00288		SCREW TCTC 4X10	2,00			--
0018		MECI75801		MICROSWITCH TK	2,00			--
0019		MEVR00092		BUZZER X TK1400	1,00			--
0020		VTVT75719		SCREW TE F/ROND. M 6 X 10	2,00			--
0021		MEVR47082		INSULATOR M6 35-CH32	2,00			--
0022		VTVT47088		SCREW EI-ST 6X30 UNI5923 ZC	2,00			--
0023		VTDD00004		NUT UNI 5588 M6 ZB	2,00			--
0024		MECI00037		CONTACTOR TL22 P V 24V	1,00			--
0025		MECB00117		WIRING TELERUTTORE	1,00			--
0026		MEVR00146		FUSE-HOLDER MEGA	1,00			--
0027		MEVR00145		FUSE 100A	1,00			--
0028		MECE00019		BOARD POTENZA COMPLETA	1,00			--
0029		MECE00016		PCB MICRO + DISPLAY	1,00			--
0030		LAFN87624		SHEET METAL PA.PORTA SCHEDA	1,00			--
0031		MEVR00148		DASHBOARD SEDILE G1050	1,00		02/2004	--

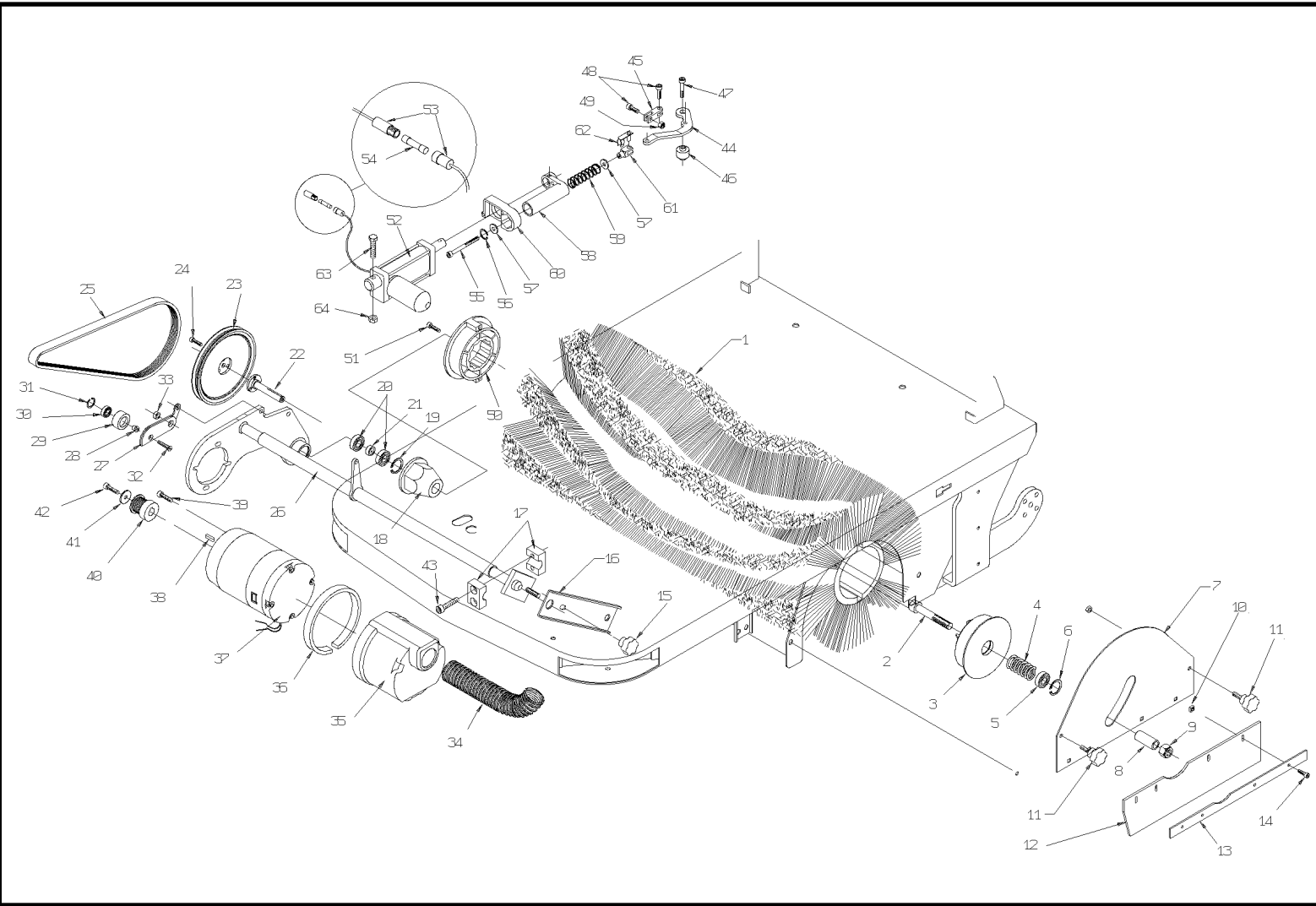


M1	MOTORE ATTUATORE	ACTUATOR MOTOR
M2	MOTORE SCUOTIFILTRO	FILTERSHAWER MOTOR
M3	MOTORE ASPIRAZIONE	SUCTION MOTOR
M4	MOTORE SPAZZOLA CENTRALE	CENTRAL BRUSH MOTOR
M5	MOTORE SPAZZOLA LATERALE SINISTRA	LEFT BRUSH MOTOR
M6	MOTORE SPAZZOLA LATERALE DESTRA	RIGHT BRUSH MOTOR
M7	MOTORE TRAZIONE	TRACTION MOTOR
TL1	TELEINTUTTORE BIPOLARE	ELECTROMAGNETIC SWITCH BIPOLAR
C1	CLIXON MOTORE TRAZ	CLIXON TRACTION MOTOR
C2	LIVELLO TROPPO PIENO	OVERFILLING LEVEL
C3	HSN SEDILE	HSN SEAT
C4	HSN PEDALE AVANZAMENTO	HSN ADVANCEMENT PEDAL
C5	CLIXON MOTORE SPAZZOLE	CLIXON BRUSH MOTOR
P1	POTENZIMETRO PEDALIERA 4-7	RIDDER PEDALS POTENTIOMETER 4-7
CH	INTERRUTTORE CHIAVE	KEY SWITCH
PE	PULSANTE EMERGENZA	EMERGENCY PUSHBUTTON
BZ	BUZZER	BUZZER
F1	FUSIBILE 100 A	FUSE 100 A
SK1	PIANZA COMANDI	DASHBOARD
SK2	SCHEDA MICRO	MICRO CARD
SK3	SCHEDA POTENZA	OUTPUT CARD
MI	MARCA INDIETRO	REVERS GEAR
MA	MARCA AVANTI	FORWARD GEAR
L1	LUCE PIVOTTANTE	FLASHING LIGHT
L2	FARO ANTERIORE	FRONT LIGHTS
I	INTERRUTTORE FARO ANTERIORE	SWITCH FRONT LIGHTS

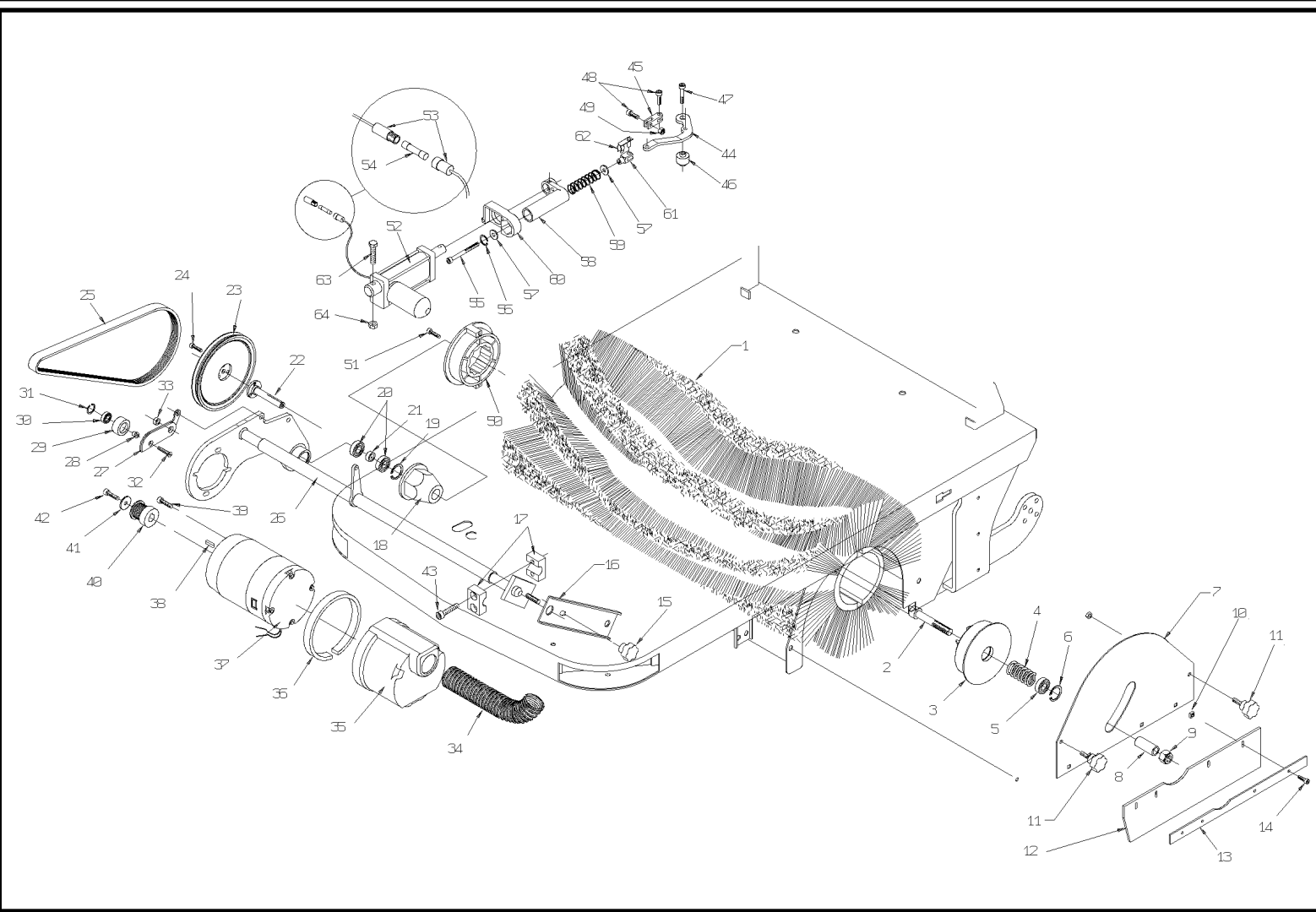
Ref. K	Part N.	Customer Part N.	Description	Qty	Validity: From To	Price
00BZ	MEVR00092		BUZZER X TK1400	1,00	--	--
00C1	MECI00035		DASHBOARD DI TEMPERATURA F11-95 NC	1,00	--	--
00C3	MECI75801		MICROSWITCH TK	1,00	--	--
00C4	MECB00124		WIRING pedale acceleratore G1050	1,00	--	--
00CH	MECI75805		SWITCH TK	1,00	--	--
00F1	MEVR00145		FUSE 100A	1,00	--	--
00L1	MEVR00935		FLASHING LIGHT G1050	1,00	--	--
00M1	MOCC00009		ATUATOR SPAZZ.CENT. TK1400 24V	1,00	--	--
00M2	PMQE00001		MOTOR SCUOTIF.ELETTRO.COMPL. 24V	1,00	--	--
00M3	MOCC00008		MOTOR VENTOLA ASPIRAZ.TK1200	1,00	--	--
00M4	MOCC00030		MOTOR SPAZZOLA CENTRALE G1050	1,00	--	--
00M5	MOCC00031		MOTOR.GEARBOX AOMPI40 24V 60W SX G1050	1,00	--	--
00M6	MOCC00032		MOTOR.GEARBOX AOMPI40 24V 60W DX G1050	1,00	--	--
00M7	MOCC00029		MOTOR MOTORUOTA 24V 400W	1,00	--	--
00MA	MECI00038		SWITCH BIPOLARE	1,00	--	--
00MI	MECI00038		SWITCH BIPOLARE	1,00	--	--
00P1	MECB00124		WIRING pedale acceleratore G1050	1,00	--	--
00PE	MECI00028		BUTTON DI EMERGENZA TK1400 24V	1,00	--	--
0SK1	MEVR00144		DASHBOARD A MEMBRANA X CRUSC.G1050	1,00	--	--
0SK2	MECE00016		PCB MICRO + DISPLAY	1,00	--	--
0SK3	MECE00017		BOARD POTENZA	1,00	--	--
0TL1	MECI00037		CONTACTOR TL22 P V 24V	1,00	--	--



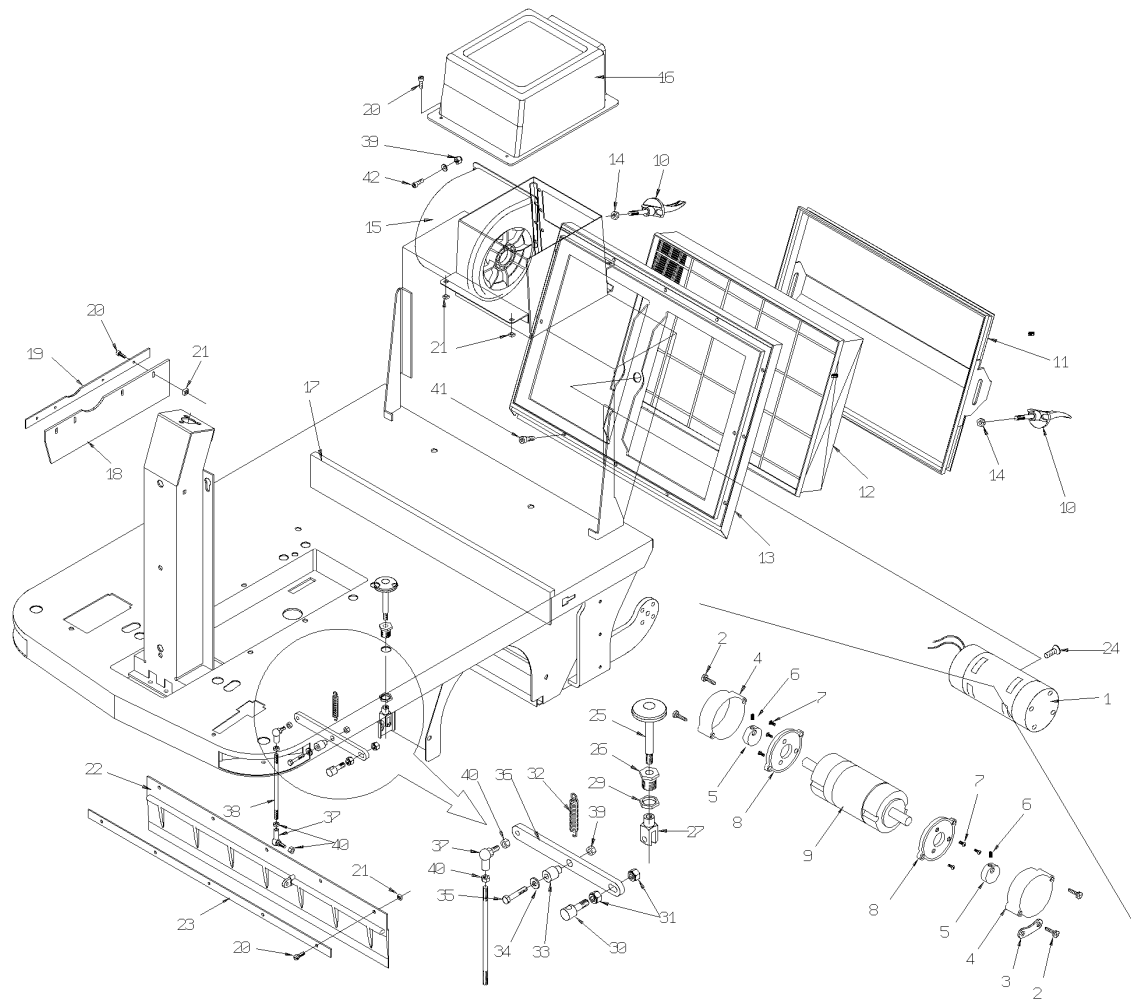
Ref. K	Part N.	Customer Part N.	Description	Qty	Validity: From To	Price
0001	PMTR00079		GROUP MOTORUOTA COMPLETO	1,00		--
0002	MOCC00029		MOTOR MOTORUOTA 24V 400W	1,00		--
0003	MFVR00020		SUPPORT MOTORUOTA	1,00		--
0004	MFVR00019		COVER MOTORUOTA G 1050	1,00		--
0005	MTCR00010		PINION MOTORE Z=18 M=1.5	1,00		--
0006	CUVR00008		BEARING 6003 2RS	1,00		--
0007	CUVR00024		BEARING 609 9x24x7	1,00		--
0008	VTAE00014		SEEGER UNI 7435 D.9	1,00		--
0009	GUVR00025		PACKING 35x45x7	1,00		--
0010	GUVR00026		PACKING 20x30x5	1,00		--
0011	MTCR00006		BRAKE MODULO 2.5	1,00		--
0012	VTAE09655		CIRCLIP D. 25 UNI 7435	1,00		--
0013	VTVR00052		KEY UNI 6604 8X7X18	1,00		--
0014	VTVR23472		KEY 6X6X25	1,00		--
0015	CUVR00021		BEARING 20X32X16 NKI2016	1,00		--
0016	CUVR00022		BEARING 25x42x11 51105	1,00		--
0017	CUVR00023		BEARING 6002 15x32x9	1,00		--
0018	CUVR00024		BEARING 609 9x24x7	3,00		--
0019	MTCR00011		BRAKE MODULO 2	1,00		--
0020	VTAE33674		CIRCLIP D. 22 UNI 7435	1,00		--
0021	MTCR00008		PINION MODULO 2.5	1,00		--
0022	VTVR00053		KEY UNI 6604 6X6X18	1,00		--
0023	MTCR00009		PINION MODULO 2	1,00		--
0024	VTVR00054		KEY UNI 6604 5X5X10	1,00		--
0025	MTCR00007		BRAKE Z=45 M=1.5	1,00		--
0026	VTAE76740		CIRCLIP D.20 UNI 7435	1,00		--
0027	VTVT00123		SCREW TCCE UNI5931 6X16 AC.8.8	10,00		--
0028	LAFN01162		PIN RUOTA	1,00		--
0029	VTVR00051		BRAKE d.90 G1050	1,00		--
0030	CMCV75723		REGISTER D.7	1,00		--
0031	MFVR00014		HUB RUOTA TK 1050	1,00		--
0032	RTRT00037		RING GOMMA RUOTA ANTERIORE GRI	1,00		--
0033	LAFN85380		HUB SW 1000E/S 22501005	1,00		--
0034	VTVT00074		SCREW TCCE UNI 5931 8X16 ZB	5,00		--
0035	VTRS00508		WASHER D.16 UNI 6592	1,00		--
0037	LAFN01166		WASHER SPALLAMENTO PIGNONE	1,00		--
0038	VTRS00020		WASHER GOWER UNI 1751 UNI 1751	5,00		--



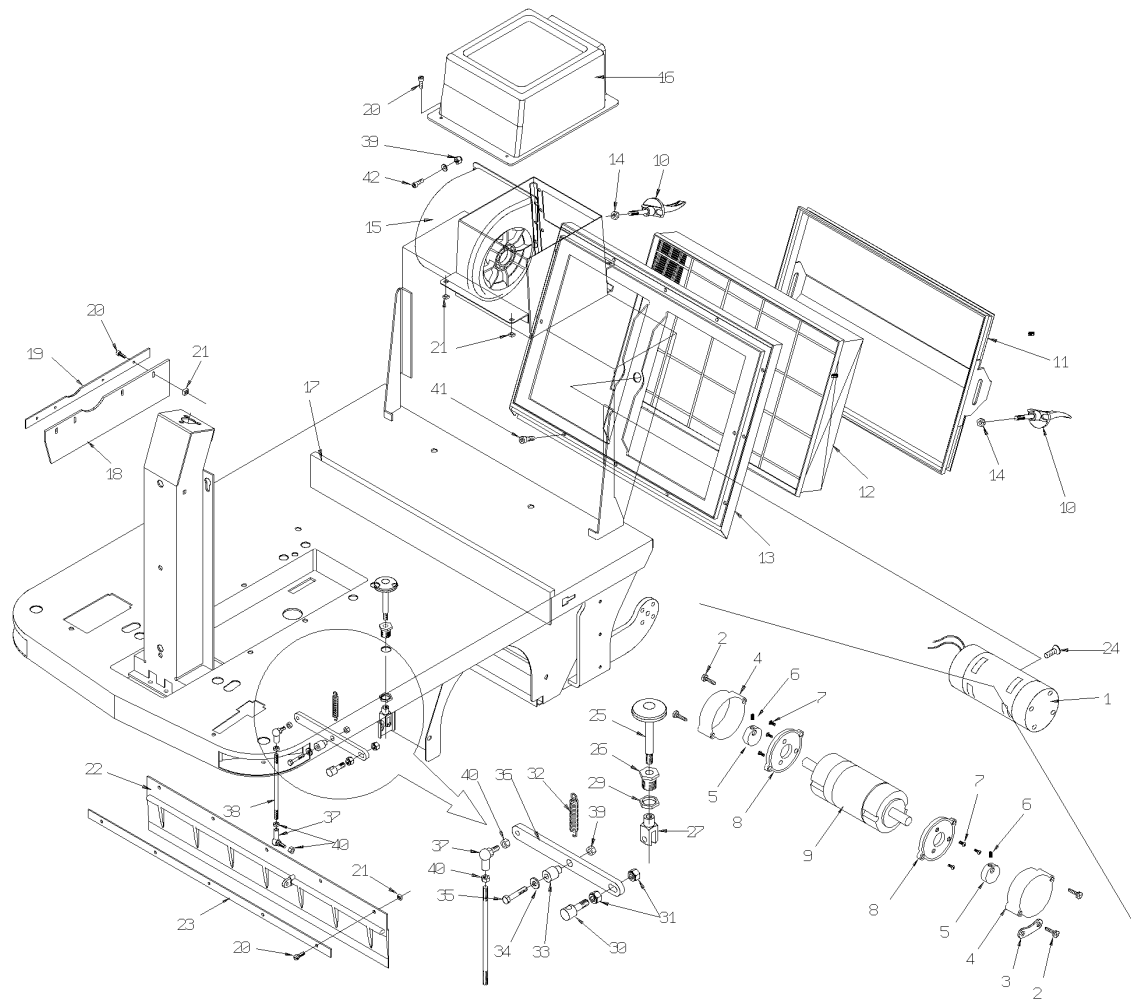
Ref. K	Part N.	Customer Part N.	Description	Qty	Validity:		Price
					From	To	
0001	SPPV00056		CENTRAL BRUSH D.280X640 6R0.PPL 0.5/1.2	1,00			--
0002	VTVT00131		SCREW TCCE UNI 5931 12X60 ZB	1,00			--
0003	LAFN44772		FLANGE L.1400	1,00			--
0004	MLML45098		SPRING D. 25X38 TK1400	1,00			--
0005	CUVR46942		BALL BEARING 6001-2RS1 -SKF	1,00			--
0006	VTAE00010		SEEGER INTERNO DIN 472 D.28	1,00			--
0007	LAFN00810		PLANE SPAZZOLA CENTRALE	1,00		09/2005	--
0007	LAFN06356		PLANE SPAZZOLA CENTRALE	1,00	09/2005		--
0008	LAFN01169		SPACER S.C.	1,00			--
0009	VTDD00012		NUT AUTOBLOK DIN 985 M12 ZB	1,00			--
0010	VTVR47015		INSERT PLS. D.3	4,00			--
0011	RTRT00022		HANDWHEEL D.30 M6X15	2,00			--
0012	MPVR00848		FLAP LATERALE G1050	1,00		10/2005	--
0012	MPVR04709		FLAP LATERALE G1050	1,00	09/2005		--
0013	LAFN00325		CLAMP FLAP LATER.TK1050 ZINC.	1,00			--
0014	VTVT00106		SCREW AUTOFIL. TC 3,5X14,5	4,00			--
0015	VTVT00124		HANDWHEEL D.40 M8	1,00			--
0016	LAFN00816		ARM ASPORT.SPAZZ.CENTR.ZINC.	1,00			--
0017	LAFN47055		HOSE COLLAR C3 D.18	4,00			--
0018	LAFN44774		HUB 1050	1,00			--
0019	VTAE00010		SEEGER INTERNO DIN 472 D.28	1,00			--
0020	CUVR46942		BALL BEARING 6001-2RS1 -SKF	2,00			--
0021	LAFN46932		SPACER L.14	1,00			--
0022	LAFN00531		BRUSH PIN CENTRALE TK1050	1,00			--
0023	MTPL00023		PULLEY SPAZZOLA CENTRALE	1,00			--
0024	VTVT75725		SCREW TBEI M 6X 10 ISO 7380 ZB	3,00			--
0025	MTCG00018		BELT POLY V 723 J	1,00			--
0026	LAFN00804		ARM PORTASPAZZ.CENTR.1050 ZIN	1,00			--
0027	LAFN00357		ARM TENDICIN.SPAZZ.CENTR.1050	1,00			--
0028	LAFN00527		PIN CUSCINET.TENDICING.TK1050	1,00			--
0029	LAFN00636		ROLLER TENDICINGHIA TK1050	1,00			--
0030	CUVR71988		BEARING 608 2RS	1,00			--
0031	VTAE00008		SEEGER INTERNO DIN 472 D.26	1,00			--
0032	VTVT00075		SCREW TSCE UNI 5933 5X20 ZB	1,00			--
0033	LAFN01168		BUSHING PERNO TENDICINGHIA	1,00			--
0034	TBFX00005		TUBE CONVOGLIATORE ARIA	1,00		06/2006	--
0035	MPVR00301		COWLING MOTORE SPAZZ.CENTRALE	1,00		06/2006	--
0036	GUVR00023		GASKET AUTOADESIVA	1,00		06/2006	--
0037	MOCC00030		MOTOR SPAZZOLA CENTRALE G1050	1,00		06/2006	--



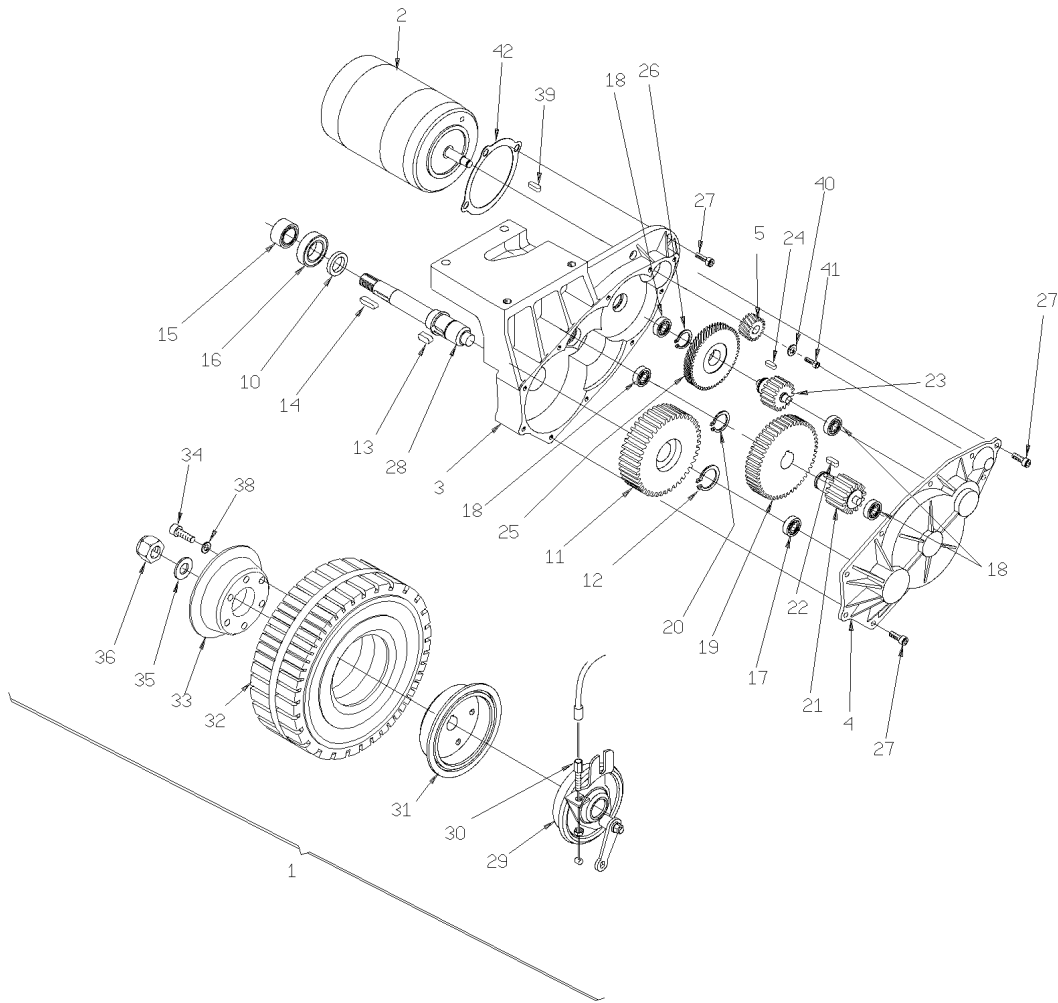
Ref.	K	Part N.	Customer Part N.	Description	Qty	Validity:		Price
						From	To	
0037		MOCC00297		MOTOR 300W	1,00	06/2006		--
0038		VTVR13165		KEY 5X5X20	1,00			--
0039		VTVT06237		SCREW TCEI 6X20 UNI5931	4,00			--
0040		MTPL00022		PULLEY MOTORE SPAZZ.CENTR TK1050	1,00			--
0041		VTRS63242		WASHER D. 6 X24 ZC	1,00			--
0042		VTVT75725		SCREW TBEI M 6X 10 ISO 7380 ZB	1,00			--
0043		VTVT06236		SCREW TCEI 6X40 UNI5931	4,00			--
0044		LAFN00358		LEVER DI RINVIO SPAZZ. CENTRALE	1,00			--
0045		LAFN00359		LINK-ROD TK 1050	1,00			--
0046		LAFN00533		PIN LEVA DI RINVIO SPAZZ.CENT	1,00			--
0047		VTVT63029		SCREW TCEI M 6X 35 UNI 5931 ZB	1,00			--
0048		VTVT00104		SCREW TE UNI 5739 6X18 ZB	2,00			--
0049		VTDD19688		NUT M6 UNI 7473	2,00			--
0050		LAFN45099		DRIVE DISK TK1400	1,00			--
0051		VTVT47138		SCREW TSP-TC 3,9X32 ZC. UNI6955	2,00			--
0052		MOCC00009		ATUATOR SPAZZ.CENT. TK1400 24V	1,00			--
0053		MEVR00080		FUSE-HOLDER PV610 10A	1,00			--
0054		MEVR00079		FUSE 3.15A 250V 5X20	1,00			--
0055		VTVT37013		SCREW TE M 6X100 UNI 5737	1,00			--
0056		VTAE00009		SEEGER INTERNO DIN 472 D.20	1,00			--
0057		LAFN00124		BUSHING BATTUTA CILINDRO	2,00			--
0058		MPVR45279		CASE TK1400	1,00			--
0059		MLML00018		SPRING D.20X2X81 X CILIND.STAB.	1,00			--
0060		LAFN00756		GUIDE ASTUCC.MOLLA SPAZ.CENTR.	1,00			--
0061		CMCV76639		FORK M 6 UNI 1676	1,00			--
0062		CMCV75717		CLIP UNI 1676 M6	1,00			--
0063		VTVT00017		SCREW TE UNI 5739 8X35 ZB	1,00			--
0064		VTDD87083		NUT AUTO BLOCK M8 DIN 985 ZB	1,00			--



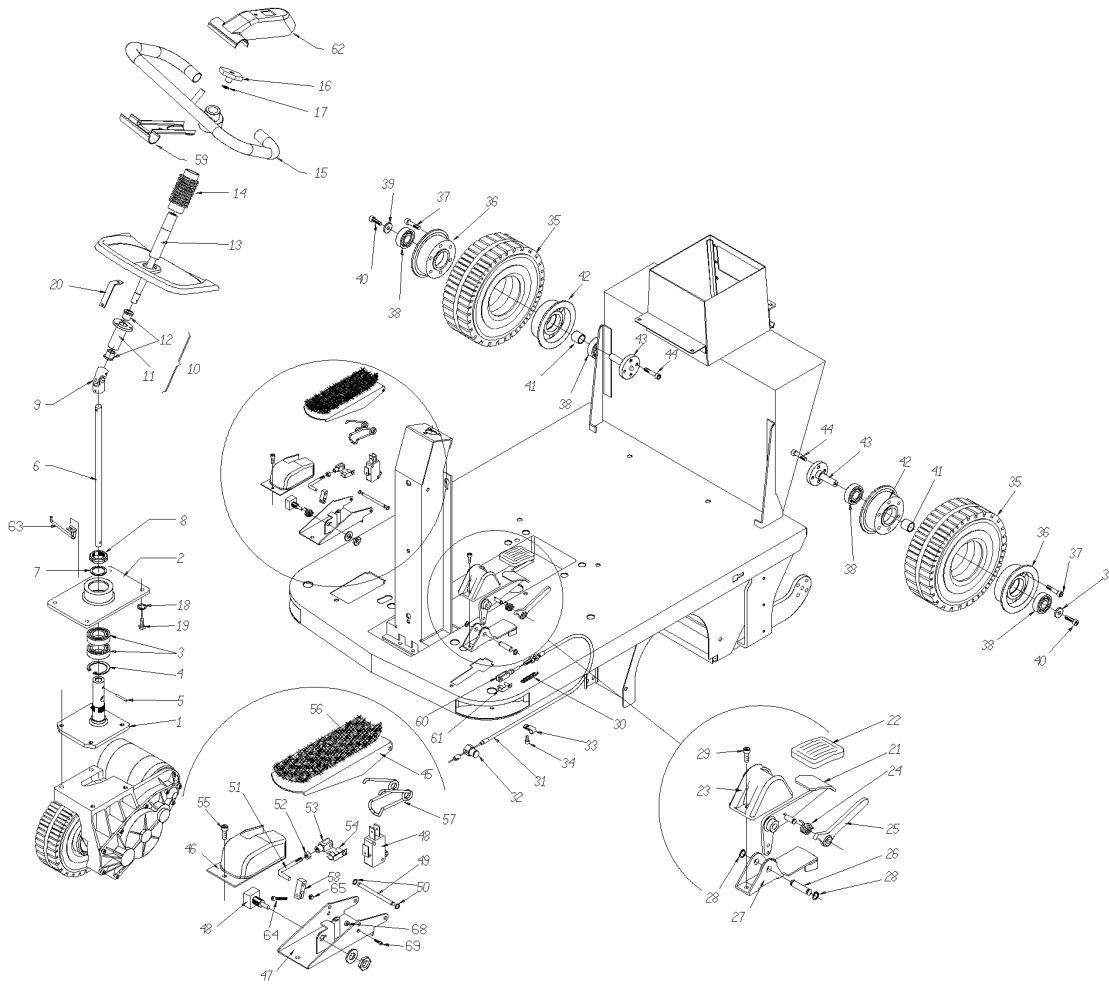
Ref. K	Part N.	Customer Part N.	Description	Qty	Validity: From	To	Price
0001	PMQE00001		MOTOR SCUOTIF.ELETTR.COMPL. 24V	1,00			--
0002	VTVT47138		SCREW TSP-TC 3,9X32 ZC. UNI6955	4,00			--
0003	MPVR00765		RUBBER FISSAGGIO FILO SCUOTIFIL.	2,00			--
0004	LAFN47139		MOTOR COVER L.14 FILT.	2,00			--
0005	LAFN47140		BUSHING L.14	2,00			--
0006	VTVT75731		SCREW UNI 5923 6 X5	2,00			--
0007	VTVT76616		SCREW M 4x18 STEAM GUN	6,00			--
0008	MFVR47141		FLANGE MOTOR L.14	2,00			--
0009	MOCC00004		MOTOR D.63 24V G3800 W35	1,00			--
0010	PMVR00383		HANDLE BLOCCAGGIO FILTRO SILVER	2,00			--
0011	LAFN01172		FRAME FISSA FILTRO	1,00			--
0012	FTDP00010		FILTER G1050	1,00			--
0013	LAFN01030		FRAME PORTAFILTRO TK1050 COMPL.	1,00			--
0014	VTDD13261		NUT M 8X1 UNI 5589	2,00			--
0015	MOCC00008		MOTOR VENTOLA ASPIRAZ.TK1200	1,00			--
0016	MPVR00864		FAN COVER ASPIRAZIONE	1,00			--
0017	MPVR00760		FLAP POSTERIORE FISSO TK1050	1,00			--
0018	MPVR00848		FLAP LATERALE G1050	1,00		10/2005	--
0018	MPVR04709		FLAP LATERALE G1050	1,00	09/2005		--
0019	LAFN00325		CLAMP FLAP LATER.TK1050 ZINC.	1,00			--
0020	VTVT00106		SCREW AUTOFIL. TC 3,5X14,5	13,00			--
0021	VTVR47015		INSERT PLS. D.3	13,00			--
0022	MPVR00847		FLAP ANTERIORE G1050	1,00			--
0023	LAFN00326		CLAMP FLAP ANTER.TK1050 ZINC	1,00			--
0024	VTVT47143		SCREW TSPEI M 10X 16 ZC UNI5933	1,00			--
0025	LAFN01150		PEDALE ALZAFLAP G1050	1,00			--
0026	LAFN01159		PIN FILETTATO ALZAFLAP	1,00			--
0027	CMCV00001		FORK UNI 1676 M8X16	1,00			--
0029	VTDD00022		NUT UNI 5589 M18x1,5 zb	1,00			--
0030	VTVT00010		SCREW TE UNI 5739 8X40 ZB	1,00			--
0031	VTDD87083		NUT AUTO BLOCK M8 DIN 985 ZB	1,00			--
0032	MLML00037		SPRING PEDALE ALZAFLAP	1,00			--
0033	LAFN01160		PIN FULCRO ALZAFLAP	1,00			--
0034	VTRS86634		WASHER 6X18X1,5 UNI6593	1,00			--
0035	VTVT63029		SCREW TCEI M 6X 35 UNI 5931 ZB	1,00			--
0036	LAFN01163		ROD ALZAFLAP	1,00			--
0037	VTVR45280		ARTICULATION AS M6	2,00			--
0038	LAFN06357		PIN ALZAFLAP G1050	1,00			--
0039	VTDD00010		NUT AUTOBLOK DIN 985 M6 BASSO	5,00			--



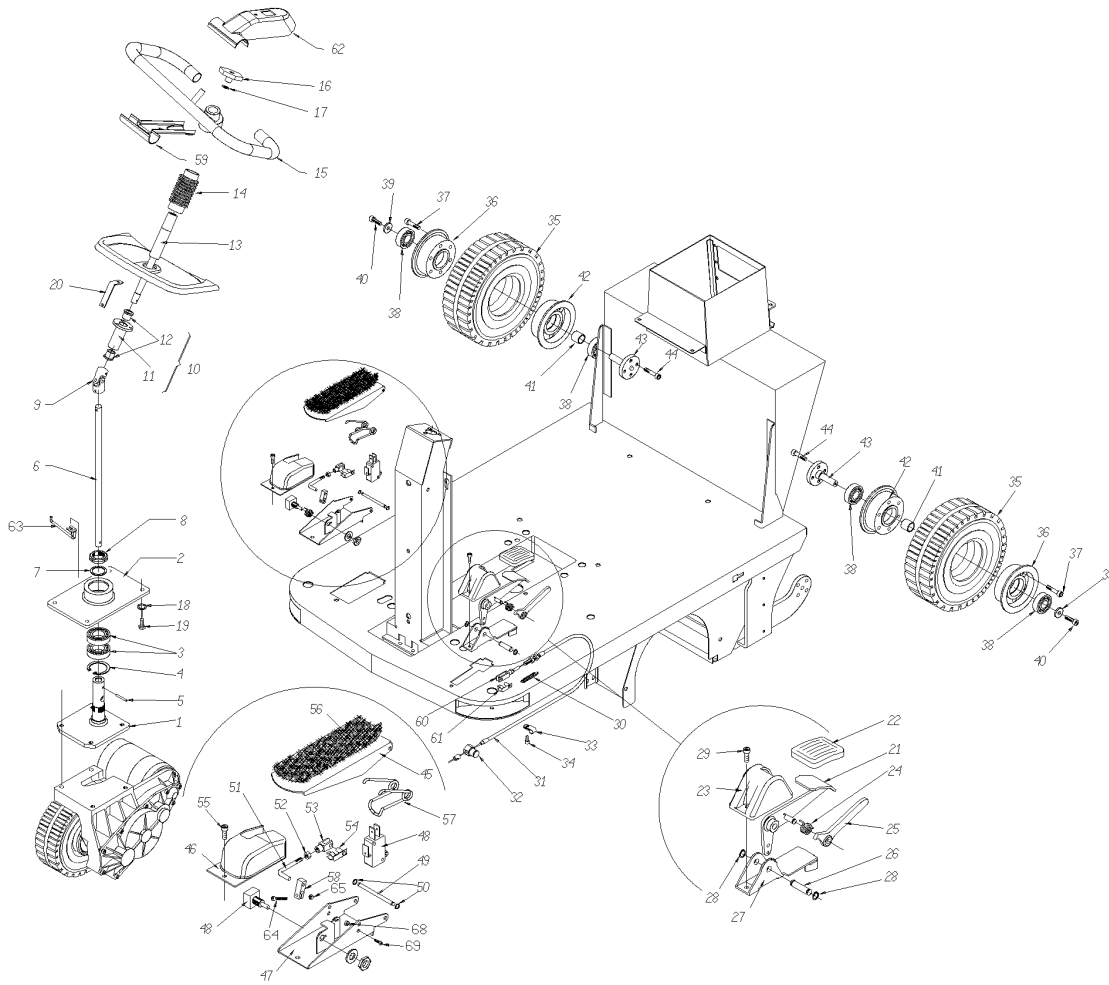
Ref. K	Part N.	Customer Part N.	Description	Qty	Validity:		Price
					From	To	
0040	VTDD00004		NUT UNI 5588 M6 ZB	4,00			--
0041	VTVT09913		SCREW TCEI 6X16 UNI5931	12,00			--
0042	VTVT24209		SCREW TCEI 6X12 UNI5931	6,00			--



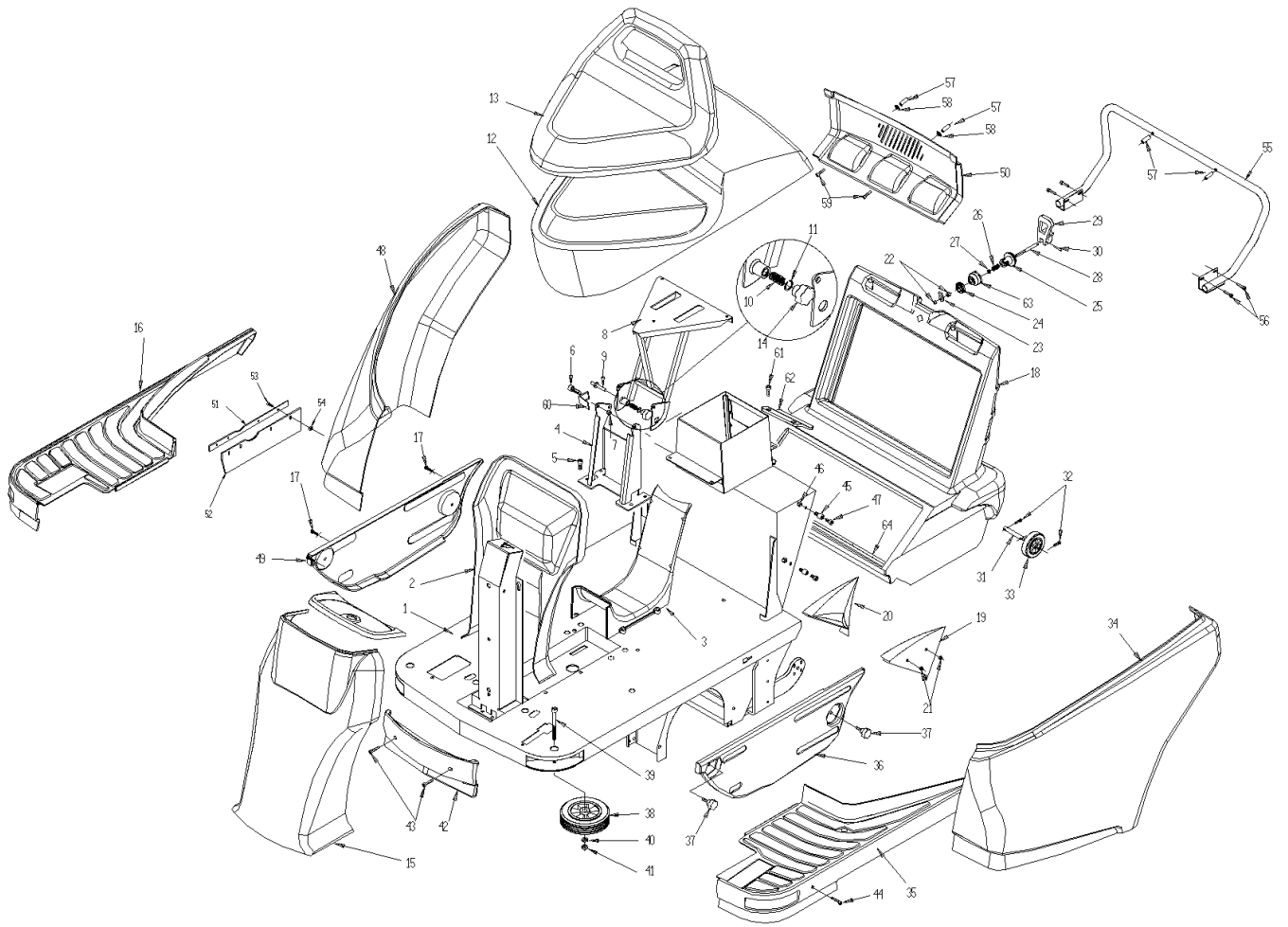
Ref.	K	Part N.	Customer Part N.	Description	Qty	Validity: From To	Price
0001		PMTR00079		GROUP	MOTORUOTA COMPLETO	1,00	--
0002		MOCC00029		MOTOR	MOTORUOTA 24V 400W	1,00	--
0003		MFVR00020		SUPPORT	MOTORUOTA	1,00	--
0004		MFVR00019		COVER	MOTORUOTA G 1050	1,00	--
0005		MTCR00010		PINION	MOTORE Z=18 M=1.5	1,00	--
0010		GUVR00026		PACKING	20x30x5	1,00	--
0011		MTCR00006		BRAKE	MODULO 2.5	1,00	--
0012		VTAE09655		CIRCLIP	D. 25 UNI 7435	1,00	--
0013		VTVR00052		KEY	UNI 6604 8X7X18	1,00	--
0014		VTVR23472		KEY	6X6X25	1,00	--
0015		CUVR00021		BEARING	20X32X16 NKI2016	1,00	--
0016		CUVR00022		BEARING	25x42x11 51105	1,00	--
0017		CUVR00023		BEARING	6002 15x32x9	1,00	--
0018		CUVR00024		BEARING	609 9x24x7	3,00	--
0019		MTCR00011		BRAKE	MODULO 2	1,00	--
0020		VTAE33674		CIRCLIP	D. 22 UNI 7435	1,00	--
0021		MTCR00008		PINION	MODULO 2.5	1,00	--
0022		VTVR00053		KEY	UNI 6604 6X6X18	1,00	--
0023		MTCR00009		PINION	MODULO 2	1,00	--
0024		VTVR00054		KEY	UNI 6604 5X5X10	1,00	--
0025		MTCR00007		BRAKE	Z=45 M=1.5	1,00	--
0026		VTAE76740		CIRCLIP	D.20 UNI 7435	1,00	--
0027		VTVT00123		SCREW	TCCE UNI5931 6X16 AC.8.8	10,00	--
0028		LAFN01162		PIN	RUOTA	1,00	--
0029		VTVR00051		BRAKE	d.90 G1050	1,00	--
0030		CMCV75723		REGISTER	D.7	1,00	--
0031		MFVR00014		HUB	RUOTA TK 1050	1,00	--
0032		RTRT00037		RING	GOMMA RUOTA ANTERIORE GRI	1,00	--
0033		LAFN85380		HUB	SW 1000E/S 22501005	1,00	--
0034		VTVT00074		SCREW	TCCE UNI 5931 8X16 ZB	5,00	--
0035		VTRS00058		WASHER	D.16 UNI 6592	1,00	--
0038		VTRS00020		WASHER	GOWER UNI 1751 UNI 1751	5,00	--
0039		VTVR01677		KEY	5X5X18 UNI 6604-69	1,00	--
0040		VTRS04026		WASHER	D. 6X18X2.38	1,00	--
0041		VTVT01109		SCREW	TE M 6X 10 ZC. UNI 5739	1,00	--
0042		GUVR00215		GASKET	P184 MOTORE	1,00	--



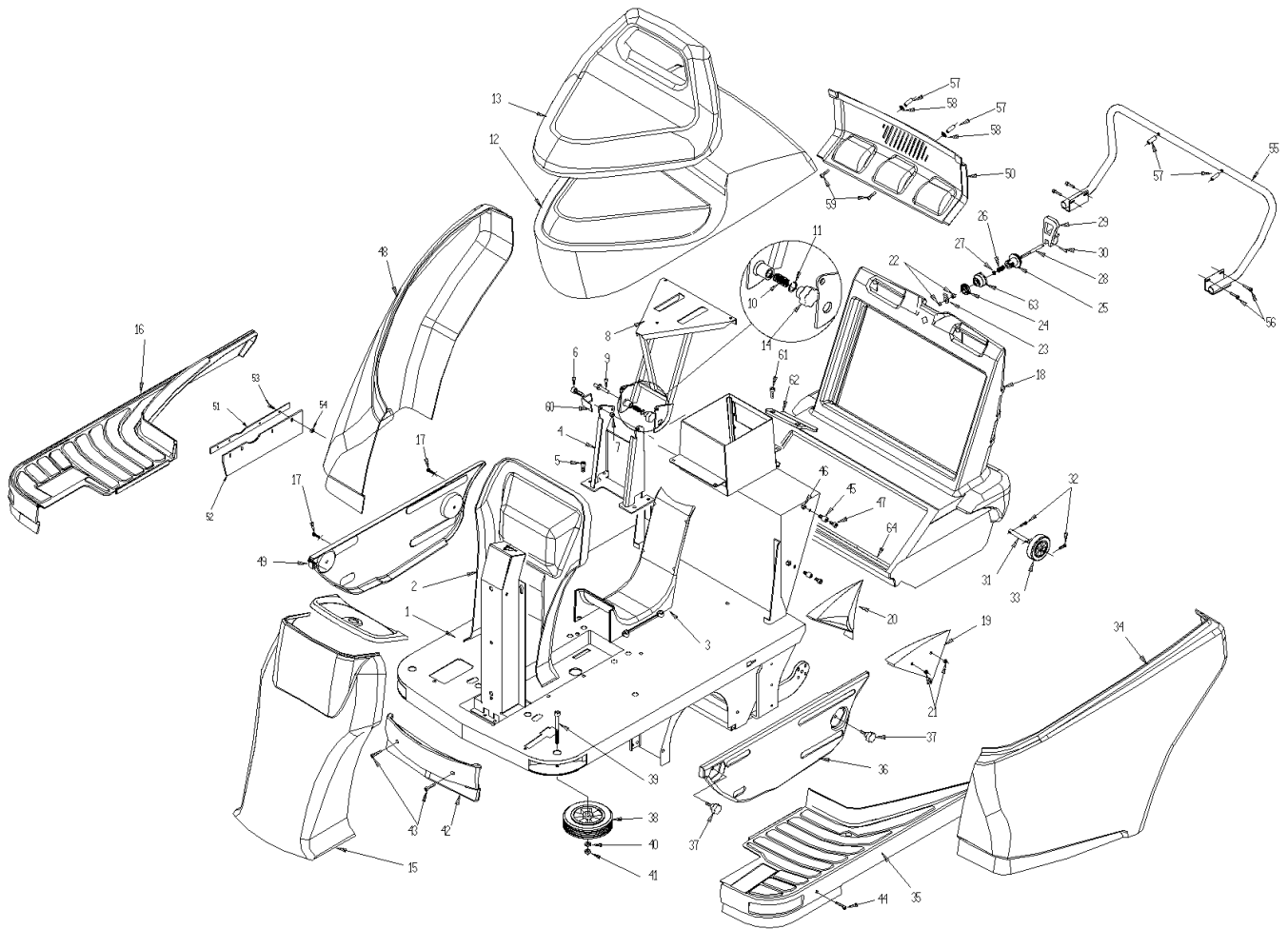
Ref. K	Part N.	Customer Part N.	Description	Qty	Validity:		Price
					From	To	
0001	LAFN00806		SUPPORT MOTORUOTA	1,00			--
0002	LAFN01167		DOOR CUSCINETTI	1,00			--
0003	CUVR00025		BEARING 6006 2RS 30X55X13	2,00			--
0004	VTAE00015		SEEGER INTERNO DIN 472 D.55	1,00			--
0005	VTVR46987		ELASTIC PLUG 5X25 UNI 6873	1,00			--
0006	ALTR00039		SHAFT STERZO G1050	1,00			--
0007	LAFN01173		SPACER RALLA STERZO	1,00			--
0008	VTVT00114		RING NUT AUTOBLOK M30X1,5 GUK	1,00			--
0009	VTVR00057		ARTICULATION CARDANICO	1,00			--
0010	PMTR00077		BUSHING PORTA PIANTONE VOLANTE	1,00			--
0011	LAFN00149		BUSHING PORTA PIANTONE TK1050 ZIN	1,00			--
0012	LAFN75841		BUSHING TK 1000	2,00			--
0013	ALTR00031		SHAFT PER VOLANTE TK 1050 ZINC.	1,00			--
0014	MPVR47066		PROTECTOR L.14	1,00			--
0015	SESD00022		STEERING WHEEL G1050 USA COMPLETO	1,00			--
0016	LAFN01183		SCREW FISSA VOLANTE G1050	1,00			--
0017	VTRS00012		WASHER UNI 6592 10X21 ZB	1,00			--
0018	VTRS00020		WASHER GOWER UNI 1751 UNI 1751	4,00			--
0019	VTVT00015		SCREW TE UNI 5739 8X25 ZB	4,00			--
0020	LAFN01184		BRACKET FISSA CRUSCOTTO	1,00			--
0021	LAFN00802		PEDALE FRENO SX 1050	1,00			--
0022	MPVR45096		RUBBER V 1201 GR.	1,00			--
0023	MPVR00303		CRANKCASE COPRIPEDALE FRENO	1,00			--
0024	MLML00035		SPRING RICHIAMO PEDALE B.F.G1050	1,00			--
0025	LAFN01147		PEDALE BLOCCO G1050	1,00			--
0026	LAFN00536		PIN PEDALE FRENO	1,00			--
0027	LAFN00821		SHEET METAL PA.SUPP.PEDALE FRENO TK1050	1,00			--
0028	VTAE87276		SEEGER EXT. D10 DIN471	2,00			--
0029	VTVT09916		SCREW TBEI M 6X 20 ISO 7380 ZB	1,00			--
0030	MLML37337		SPRING TR 112 H18	1,00			--
0031	CMCV00054		CABLE FRENO G1050	1,00			--
0032	VTVR00031		CLAMP FRENO TK1400	1,00			--
0033	FSVR00005		CLAMP TIPO "ECO"FORO MM8 D.1 W0	1,00			--
0034	VTVT75719		SCREW TE F/ROND. M 6 X 10	1,00			--
0035	RTRT00035		RING GOMMA RUOTA GRIGIA	2,00			--
0036	LAFN85290		HUB SW 1000 22501004	2,00			--
0037	VTVT00066		SCREW TCCE UNI 5931 8X25 ZB	12,00			--
0038	CUVR00005		BEARING 6202 2RS	4,00			--
0039	VTRS63242		WASHER D. 6 X24 ZC	2,00			--



Ref. K	Part N.	Customer Part N.	Description	Qty	Validity:		Price
					From	To	
0040	VTVT75726		SCREW TBEI M 6X 16 ISO 7380 ZB	2,00			--
0041	LAFN00275		SPACER INTERNO RUOTA POST.TK1300	2,00			--
0042	LAFN85380		HUB SW 1000E/S 22501005	2,00			--
0043	LAFN00530		WHEEL PIN POSTERIORE LARGGA TK1050	2,00			--
0044	VTVT45340		SCREW TSPEI 8X16 UNI5933	8,00			--
0045	LAFN00807		SHEET METAL PA.SOTTO PEDALE ZIN.TK1050	1,00		07/2006	--
0045	LAFN06474		SHEET METAL PA.PEDALE	1,00	07/2006		--
0046	MPVR00302		CRANKCASE PEDALE AVANZAMENTO	1,00			--
0047	LAFN00801		PEDALE AVANZAMENTO 1050	1,00		07/2006	--
0047	LAFN06473		SHEET METAL PA.PEDALE	1,00	07/2006		--
0048	MECB00124		WIRING pedale acceleratore G1050	1,00			--
0049	LAFN00524		PIN PEDALE TK 1050	1,00			--
0050	VTAE48552		CIRCLIP D. 6 UNI 7435	2,00			--
0051	LAFN00909		BRACKET BIELLETTA PEDALE	1,00			--
0052	VTDD00004		NUT UNI 5588 M6 ZB	1,00			--
0053	CMCV76639		FORK M 6 UNI 1676	1,00			--
0054	CMCV75717		CLIP UNI 1676 M6	1,00			--
0055	VTVT62920		SCREW TE F/ROND. M 6X 16 ZB	1,00			--
0056	MPVR00866		PLANE ANTISDRUCCIOLO G1050	1,00			--
0057	MLML00034		SPRING PEDALE AVANZAMENTO G1050	1,00			--
0058	LAFN01149		CONNECTING ROD PEDALE AVANZAMENTO G1050	1,00			--
0059	MPVR04653		COVER INFERIORE VOLANTE	1,00			--
0060	CMCV00006		FORK UNI 1676 M6X24	1,00			--
0061	CMCV00009		CLIP UNI 1676	1,00			--
0062	MPVR04652		COVER SUPERIORE VOLANTE	1,00			--
0063	LAFN07038		ASSEMBLED GUIDA CAVO FRENO	1,00	03/2006		--
0064	VTVT00704		SCREW TE M 4X 16 UNI5739 INOX	1,00			--
0065	VTDD00055		NUT M 4 ATB A2	1,00			--
0068	VTDD04369		NUT M 4 TEF UNI 7473	2,00	08/2006		--
0069	VTVT00089		SCREW TCCE UNI 5931 4X10 ZB	2,00	08/2006		--



Ref. K	Part N.	Customer Part N.	Description	Qty	Validity: From To	Price
0001	LAFN01029		FRAME TK1050 VERNICIATO	1,00		--
0002	MPVR00859		CRANKCASE FRONTALE INTERNO G1050	1,00		--
0003	MPVR00851		TUNNEL CENTRALE G1050 TEKNOVA	1,00		--
0004	LAFN01153		COLUMN PORTASEDILE G1050	1,00		--
0005	VTVT29810		SCREW TCEI M 8X20 UNI 5931	4,00		--
0006	VTVT00456		SCREW TE 10X25 UNI5739	2,00		--
0007	VTDD00042		NUT AUT.M10 UNI7474	2,00		--
0008	LAFN01151		PEDAL TEKNOVA G1050	1,00		--
0009	LAFN00526		PIN BLOCCO PORTASEDILE TK1050	1,00		--
0010	MLML00028		SPRING PERNO BLOCCO PORTASEDILE	1,00		--
0011	VTAE00016		SEEGER INTERNO DIN 472 D.13	1,00		--
0012	MPVR00857		HOOD SUPERIORE G1050	1,00		--
0013	MPVR00850		SEAT G1050 TEKNOVA	1,00		--
0014	VTVT00127		HANDWHEEL D.30 M6	1,00		--
0015	MPVR00862		CRANKCASE FRONTALE ESTERNO G1050	1,00		--
0016	MPVR00853		PLANE DX G1050	1,00		--
0017	VTVT09916		SCREW TBEI M 6X 20 ISO 7380 ZB	2,00		--
0018	MPVR00304		DRAWER RIFIUTI TK1050	1,00		--
0019	PMVR00501		CONVEYOR CASSETTO SX	1,00		--
0020	PMVR00502		CONVEYOR CASSETTO DX	1,00		--
0021	VTDD00010		NUT AUTOBLOK DIN 985 M6 BASSO	4,00		--
0022	VTDD13261		NUT M 8X1 UNI 5589	2,00		--
0023	LAFN01177		BRACKET FERMA CASSETTO	1,00		--
0024	LAFN01189		RING NUT FISSA GANCIO CASSETTO	1,00	02/2006	--
0025	LAFN00338		RING NUT GANCIO CASSETTO TK1050	1,00		--
0026	MLML00036		SPRING GANCIO CASSETTO	1,00		--
0027	LAFN75909		SPACER D.12 H.3.5	1,00		--
0028	LAFN00525		PIN TIRANTE TK1050	1,00		--
0029	MPVR00865		HANDLE CASSETTO RIFIUTI	1,00		--
0030	VTVR00055		PLUG D.4 H.32	1,00		--
0031	LAFN00532		WHEEL PIN CASSETTO	2,00		--
0032	VTVT19236		SCREW TCEI 5X20 UNI 5931	4,00		--
0033	RTRT00016		WHEEL SCIOLTE 80/30/G NERE	2,00		--
0034	MPVR00861		BODY SIDE LATERALE SX G1050	1,00		--
0035	MPVR00854		PLANE SX G1050	1,00		--
0036	MPVR00856		PLANE SX G1050	1,00		--
0037	VTVT00125		HANDWHEEL D.40 M6X15	2,00		--
0038	RTRT00038		WHEEL D.150X32	2,00		--
0040	VTRS00012		WASHER UNI 6592 10X21 ZB	2,00		--



Ref. K	Part N.	Customer Part N.	Description	Qty	Validity:		Price
					From	To	
0041	VTDD00011		NUT AUTOBLOK DIN 985 M10	2,00			--
0042	MPVR00852		BUMPER ANTERIORE G1050 TEKNOVA	1,00			--
0043	VTVT00034		SCREW TBCE ISO 7380 6X35 ZB	2,00			--
0044	VTVT09916		SCREW TBEI M 6X 20 ISO 7380 ZB	4,00			--
0045	LAFN01187		SPACER FISSA FIANCATA G1050	4,00			--
0046	VTDD00010		NUT AUTOBLOK DIN 985 M6 BASSO	4,00			--
0047	VTVT75725		SCREW TBEI M 6X 10 ISO 7380 ZB	4,00			--
0048	MPVR00860		BODY SIDE LATERALE DX G1050	1,00			--
0049	MPVR00855		PLANE DX G1050	1,00			--
0050	MPVR00888		CRANKCASE SUPERIORE VENTILAZIONE	1,00			--
0051	LAFN10992		SHEET METAL PA.FISSA FLAP	1,00	09/2005		--
0052	MPVR05092		FLAP PORTELLO DX	1,00	09/2005		--
0053	VTVT45339		SCREW TBEI M 5X 16 ISO 7380 ZB	4,00	09/2005		--
0054	VTDD78364		NUT M5 AUTOBLOCCANTE	4,00	09/2005		--
0055	LAFN10991		BUMPER POSTERIORE	1,00	09/2005		--
0056	VTVT00527		SCREW TE FR 6x10 ZB ZIGRINATE	4,00	09/2005		--
0057	LAFN10994		SPACER FISSA PARAURTI	2,00	09/2005		--
0058	VTRS00512		WASHER D. 8 X24 ZC.	2,00	09/2005		--
0059	VTVT28306		SCREW TCEI 8X45 UNI5931	2,00	09/2005		--
0060	LAFN01188		BRACKET FISSA CARENA	2,00			--
0061	VTVT08937		SCREW TCEI 6X10	2,00	03/2006		--
0062	LAFN07037		BRACKET CENTRAGGIO CASSETTO	1,00	03/2006		--
0063	LAFN07036		CONE CENTRAGGIO CASSETTO	1,00	03/2006		--
0064	LAFN06694		SHEET METAL PA.RINFORZO CASSETTO	1,00	03/2006		--